

LifeSmart®

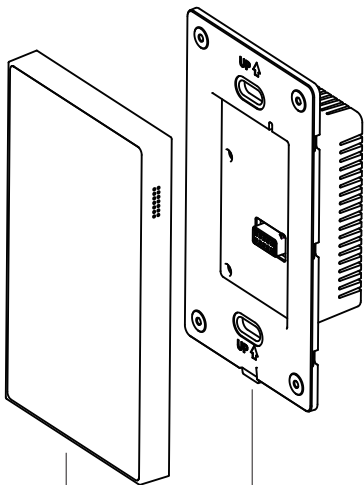
Simply Brilliant

Nature Switch L & Nature Switch Scene Panel L

Model: LS219 series

User Guide Version 1.0

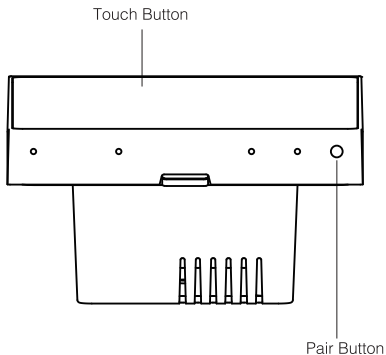
ILLUSTRATION



Switch Panel

Smart Control Accessory

ILLUSTRATION



NOTE:

- The number and style of touch buttons are subject to your actual purchase.

INSTRUCTION

LifeSmart's Nature Switch (Scene Panel) L adopts Touch Pro technology and brings ultimate touch experience for lighting. It is also designed with DIY colorful LED indicator, you can turn on the light easily in the dark. The cover adopts tempered glass with oleophobic coating, which is wear resistant and easy for cleaning & maintenance.

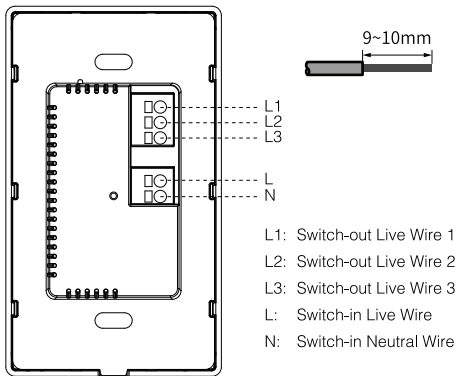
Nature Switch (Scene Panel) L supports two-way communication and mobile control. You can manage it through our App whenever and wherever. It can be paired with other smart devices to trigger Smart Scenes like light on when you come home and lights out when you leave the house.

SPECIFICATIONS

| | |
|---------------------|---|
| Size | Outside the wall: 120*70*11mm Overall: 120*70*36.5mm |
| Weight | 133g(1 way) 140g(2 way) 147g(3 way) 128g(Scene) |
| Power consumption | <0.6W |
| Input | AC 100-240V~ 50/60Hz |
| Maximum load | Resistive: 500W/channel Inductive/Capacitive: 200W/channel Total current <10A |
| Wireless protocol | CoSS |
| Wireless distance | 200m (open field) |
| Working temperature | -5~45°C |
| Working humidity | 5~90% |

WIRING INSTRUCTION

Working with the switch accessories:



NOTE:

- Nature Switch L installation involves strong current operation, please contact electrician to operate.
- The effective ports of output connector vary according to different models, please refer to the actual product.
1 way switch does not support L2, L3.
2 way switch does not support L3.
- Must use 24-12 AWG (2.5mm²) wire, stripping length 9-10mm, ensure that no conductive parts of the wires are exposed from connectors.
- When working with other smart control accessories, please refer the wiring instructions on the accessory.

INSTALLATION

- ① Cut off the electrical power supply and make sure the wiring is not charged.
- ② Take out the smart control accessory and install it according to the wiring instruction, make sure all the wires are placed firmly.
- ③ Place the wires in the cassette orderly, and fix the smart control accessory to the cassette with fixing screws.
- ④ Take out the switch panel and fix it to smart control accessory, make sure that the upper and lower two buckles are in place, otherwise it may not be able to be used normally due to poor contact.
- ⑤ Restore the power supply, the device will turn on automatically.
- ⑥ After configuration of the Smart Station, choose "Add Device" in LifeSmart App, select "**Nature Switch L**" or "**Nature Switch Scene Panel L**" to enter pairing process. Follow the instruction on the app to finish pairing.

WARRANTY DESCRIPTION

Thank you for purchasing this LifeSmart product. In order to protect your rights, please read the following content carefully: The warranty period of our company's products is one year from the date of purchase or longer if local laws impose a longer minimum term, in which case the minimum term is the warranty period. During the warranty period, any faults caused by the product itself or for quality problems that arise under normal usage, LifeSmart will provide a free replacement.

User support e-mail address

support@ilifsmart.com

Website

iot.ilifsmart.com



Manufacturer:

HANGZHOU LIFESMART TECHNOLOGY CO.,LTD.

Address:

22th Floor, Yuesheng International Center, 518 Pinglan Road,
Xiaoshan District, Hangzhou, Zhejiang, China

ATTENTION

The following conditions are not covered by the warranty:

- Product failure or damage caused by installation, use, and maintenance that is not in accordance with the product instructions;
- Products beyond the warranty period;
- Products that have the barcode tampered with or removed;
- Devices that have been tampered with or customized outside of LifeSmart Terms Of Service as on the LifeSmart APP and website;
- User-caused damage, such as inappropriate voltage input, high temperature, accidental spillage, physical damage, etc;
- Product failure or damage caused by force majeure such as earthquakes, fires, or floods;
- Product failure or damage caused by other problems except the product itself.

DECLARATION

DECLARATION OF CONFORMITY

Hereby, LifeSmart declares that the radio equipment type is in compliance with Directive 2014/53/EU. The full text of the EU declaration of conformity is available at the following internet address:

<http://global.ilifsmart.com/ce/docs/>



Notice: This device may be used in each member state in EU.

 Facebook: ilifsmarhome

 Twitter: ilifsmarhome

Copyright © 2023 LifeSmart Inc. All Rights Reserved.
88014050 A0