

尺寸	130*100mm
纸张	
工艺	风琴页

LifeSmart云起

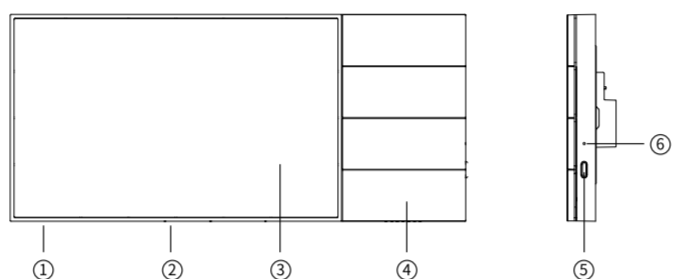
Nature 7 PRO

视界7 PRO
Nature 7 PRO
Setting up your LifeSmart Nature

使用说明书 v1.0
User Guide V1.0
Model: LS227

部件说明

ILLUSTRATION



- ① 扬声器
- ② 麦克风
- ③ 触摸屏
- ④ 情景按键
- ⑤ 电源按键
- ⑥ 重启按键孔
- ① Speaker
- ② Microphone
- ③ Touch screen
- ④ Scene button
- ⑤ Power button
- ⑥ Restart button hole

电源按键
长按显示重启菜单,短按点亮/熄灭屏幕。安装完成后,接通电源,设备将会自动开机。

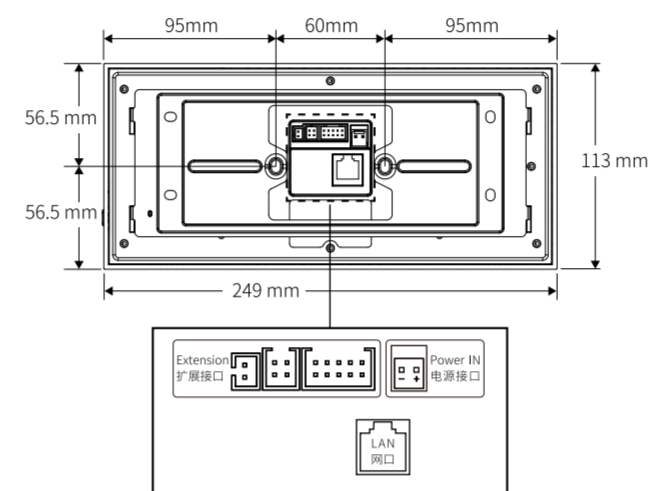
重启按键孔
使用卡针戳孔来重启设备。

Power button
Long press to show restart menu. Short press to turn on/off the screen.
After installation, the device will automatically turns on when the power is turned on.

Restart button hole
Poke with a pin to restart.

部件说明

ILLUSTRATION



接线说明
网口用于连接互联网
扩展接口尚未启用

Wiring instructions
LAN is for Internet
Extension ports have not been enabled

产品介绍

INSTRUCTION

Nature7 PRO 是集所有智能控制功能于一体的全屏控制面板,允许用户在家中控制各种智能设备,在外出、睡觉、看电影、用餐等模式之间进行切换。用户还可以用它来精确控制窗帘的开/闭,调节灯光的亮度和颜色,以及空调的温度。让用户真正享受智能生活。以入墙智能面板的形式,7寸触控显示屏,86底盒安装,自然融入家居风格,突出极简设计理念,轻松融入家装环境,为居家生活提供更加舒适便捷体验。

A full-screen control panel incorporating all intelligent control features, Nature 7 PRO enables control of various smart home devices, and shifting between different smart scenes like "Away", "Sleep", "Movie" or "Dinner". In particular, using Nature 7 PRO, a user can accurately control the degree to which a curtain opens and closes, tune the brightness and color of a lamp or adjust the temperature of an air conditioner, enjoying a truly smart life. The wall-embedded intelligent panel can be easily integrated into homes' styling with 7 inch touch panel and standard 86mm base. It is not only a personal smart housekeeper at your fingertip but also a smart property terminal within your reach.

规格参数

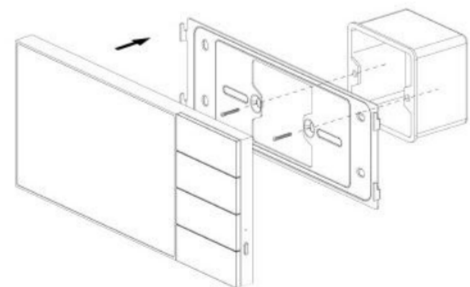
SPECIFICATIONS

系统	Android
屏幕	7英寸电容屏 1024*600
无线协议	WiFi 2.4GHz/CoSS/ZIGBEE
无线距离	200m(CoSS协议开放场)
产品尺寸	249*113*28.6mm(外露部分厚度16mm)
电源输入	DC12V 1A
工作温度	-5~45°C
工作湿度	5~90%

Operation system	Android
Screen	7inch 1024*600
Wireless protocol	WiFi 2.4GHz/CoSS/ZIGBEE
Wireless distance	200m(open field for CoSS)
Product size	Outside the wall: 249*113*16mm Overall: 249*113*28.6mm
Input	DC12V 1A
Operating temperature	-5~45°C
Operating humidity	5~90%

安装指导

INSTALLATION



- 在墙上装好86型暗盒(自备)或预留相应尺寸的安装位,在其中预埋DC12V供电线或安置好强电转DC12V电源模块(另行购买),确保能稳定提供DC12V 1A供电。安装时请关闭电源。
- 将安装支架从设备背面取下,使用螺钉将安装支架固定在暗盒上或墙壁上,注意保持卡勾方向向上并朝向设备方向。
- 将DC12V电源线及网线根据接线说明连接对应接口。
- 将线体在暗盒内或安装位内摆放整齐,并将设备挂在安装支架上进行固定。
- 打开电源,待设备自动开机,开始使用。

- Install the 86-type cassette (self-prepared) on the wall or reserve the installation space of the corresponding size, in which the DC12V power supply line is embedded or the AC-DC module (purchased separately) is installed to ensure that the DC12V 1A power supply can be stably provided. Please cut off the power supply during installation.
- Remove the mounting bracket from the back of the device, and use screws to fix the mounting bracket on the cassette or the wall. Be sure to keep the hook upward and toward the device.
- Connect the DC12V power supply line and the network cable to the corresponding ports according to the wiring instructions.
- Place the wires in the cassette or the installation position orderly, and hang the device on the mounting bracket for fixing.
- Restore the power supply, and hold the power button for 5 second and release, the device turns on.

声明

DECLARATION

由于产品版本升级或其他原因,本手册内容有可能变更。我们公司保留在没有任何通知或者提示的情况下对本手册的内容进行修改的权利。本手册仅作为使用指导,我们尽全力在本手册中提供准确的信息,但是我们并不确保手册内容完全没有错误,本手册中的所有陈述、信息和建议也不构成任何明示或暗示的担保。

如需获取最新手册,请登录 www.ilifsmart.com

LifeSmart为杭州行至云起科技有限公司的商标。对于本手册中出现的其他公司的商标、产品标示及商品名称,有个字权利人拥有。未经本公司书面许可,任何单位和个人不得擅自摘抄、复制本手册内容的部分或全部,并不得以任何形式传播。

LifeSmart is a trademark of Hangzhou LifeSmart Technology Co., Ltd. As for the trademarks, product logos and product names from other companies presented within this manual, they are possessed by their own right holders. Without our written permission, no entity or individual shall extract, copy or disseminate in part or the whole of the manual contents in any form. Due to product version upgrades or other reasons, content of this manual may change. Our company reserves the right to change the contents of this manual without any notice. This manual is used only for instructional purposes. We strive to provide accurate information in this manual, but we are not able to ensure that the content of this manual is current. Statements, information and advice in this manual do not constitute any expressed or implied assurance. Updated manuals are available on our website at iot.ilifsmart.com or by contacting our team.

技术支持

SUPPORT

技术支持电话
400-886-1911

技术支持微信公众号
iLifeSmart

用户支持邮箱
support@lifsmart.com

网址
www.ilifsmart.com

制造商: 杭州行至云起科技有限公司
地址: 杭州市萧山区平澜路518号悦盛国际中心22楼

User support e-mail address
support@lifsmart.com

Website
iot.ilifsmart.com

Manufacturer: HANGZHOU LIFSMART TECHNOLOGY CO.,LTD.
Address: 22th Floor, Yueheng International Center, 518 Pinglan Road, Xiaoshan District, Hangzhou, Zhejiang, China



保修说明

WARRANTY DESCRIPTION

感谢您购买LifeSmart产品。为了保障您的权益,请仔细阅读以下内容:根据国家三包政策规定,本公司的产品保修期为一年(自购买之日起计算,无法核实购买日期的,以出厂日期为准)。在保修期内,凡属于正常使用情况下产品本身质量问题引起的故障本公司将给予免费保修。若送修前,您可拨打400-996-1911与我们的售后人员取得联系。

- 凡有以下情况之一者,不属于免费保修范围。**
- 未按使用说明书要求安装、使用、维护、保管导致的产品故障或者损害的;
 - 已经超出保修期限的;
 - 擅自涂改、撕毁产品条形码;
 - 擅自改动本身固有的配置文件或擅自拆机修理;
 - 人为导致产品损害,例如输入不适合电压、高温、进水、机械损坏,摔坏,产品严重氧化或生锈等;
 - 因不可抗力如地震、火灾、水灾、电击等导致的产品故障或损坏;
 - 其他非产品本身设计、技术、制造、质量等问题而导致的故障或者损坏。

Thank you for purchasing this LifeSmart product. In order to protect your rights, please read the following content carefully: The warranty period of our company's products is one year from the date of purchase or longer if local laws impose a longer minimum term, in which case the minimum term is the warranty period. During the warranty period, any faults caused by the product itself or for quality problems that arise under normal usage, LifeSmart will provide a free replacement.

- The following conditions are not covered by the warranty:**
- Product failure or damage caused by installation, use, and maintenance that is not in accordance with the product instructions;
 - Products beyond the warranty period;
 - Products that have the barcode tampered with or removed;
 - Devices that have been tampered with or customized outside of LifeSmart Terms Of Service as on the LifeSmart APP and website;
 - User-caused damage, such as inappropriate voltage input, high temperature, accidental spillage, physical damage, etc;
 - Product failure or damage caused by force majeure such as earthquakes, fires, or floods;
 - Product failure or damage caused by other problems except the product itself.

Facebook: [ilifsmarhome](https://www.facebook.com/ilifsmarhome) Twitter: [ilifsmarhome](https://twitter.com/ilifsmarhome)

Copyright © 2024 LifeSmart Inc. All Rights Reserved. P/N: 88010510 A1