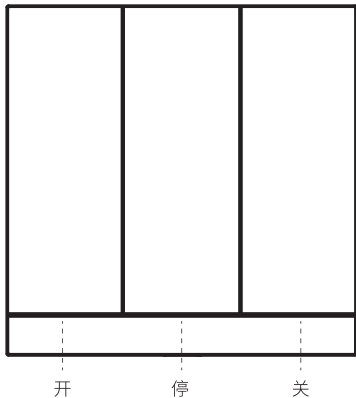


LifeSmart云起

窗帘控制器

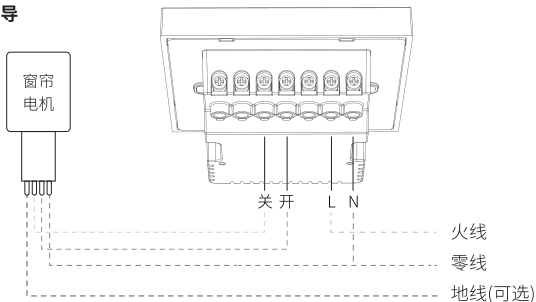


使用说明书V1.0

本说明书适用于：流光窗帘控制器PRO、星玉窗帘控制器
配图以流光窗帘控制器PRO示例，请以实物为准

安装方法

接线指导



- ① 切断安装处的电源，确认所接电线未带电。
- ② 取出智能控制底部套件，进行接线。
- ③ 将接好的电线有序地埋进开关底盒，安放好底部套件，并使用左右两侧的螺丝固定。
- ④ 将面板扣到底部套件上，确认上、下各两个卡扣到位，否则可能因为接触不良无法正常使用。
- ⑤ 打开安装处的电源，设备自动开启并完成自检。
- ⑥ 配置好智慧中心，在 LifeSmart App 中点击“添加新设备”，选择“流光窗帘控制器 PRO”或“星玉窗帘控制器”，参照 App 提示进行操作并完成配对。

规格参数

尺寸	露出墙外尺寸: 86*86*11mm	最大负载	200W
	整机尺寸: 86*86*36mm	无线协议	CoSS
重量	132g	无线距离	200m (开放场)
静态功率	<1.5W	工作温度	-5~45°C
输入	220V~ 50/60Hz	工作湿度	5~90%

注意

安装涉及到强电，务必请专业电工操作。

本产品建议安装高度不超过2米。安装涉及到强电，务必请专业电工操作。

本产品在实际安装使用时，需在工作回路上配套有相应规格的过电流保护装置(例如带过电流保护的剩余电流动作断路器)，将故障电流限制在10A以内。

本产品的面盖、底座须配套使用，请勿拆分后用于其他产品。

技术支持

技术支持电话

400-886-1911

用户支持邮箱

support@ilifsmart.com

技术支持微信公众号

iLifeSmart

网址

www.ilifsmart.com

制造商: 杭州行至云起科技有限公司

地址: 杭州市萧山区平澜路518号悦盛国际中心22楼



保修说明

感谢您购买LifeSmart产品。为了保障您的权益，请仔细阅读以下内容：根据国家三包政策规定，本公司的产品保修期为一年（自购买之日起计算，无法核实购买日期的，以出厂日期为准）。在保修期内，凡属于正常使用情况下产品本身质量问题引起的故障本公司将给予免费保修。寄送保修前您可以拨打 400-886-1911 与我们的售后人员取得联系。

凡有以下情况之一者，不属于免费保修范围。

- 未按照使用说明书要求安装、使用、维护、保管导致的产品故障或损害的；
- 已经超出保修期限的；
- 擅自涂改、撕毁产品条形码；
- 擅自改动本身固有的配置文件或擅自拆机修理；
- 人为导致产品损害，例如输入不合适电压，高温，进水，机械损坏，摔坏，产品严重氧化或生锈等；
- 因不可抗力力如地震、火灾、水灾、电击等导致的产品故障或损坏；
- 其他非产品本身设计、技术、制造、质量等问题而导致的故障或损坏。

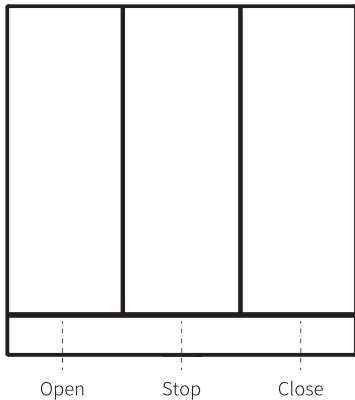
由于产品版本升级或其他原因，本手册内容可能变更。

杭州行至云起科技有限公司及其许可者版权所有，保留一切权利。

P/N 88011470 A0

LifeSmart

Curtain Controller



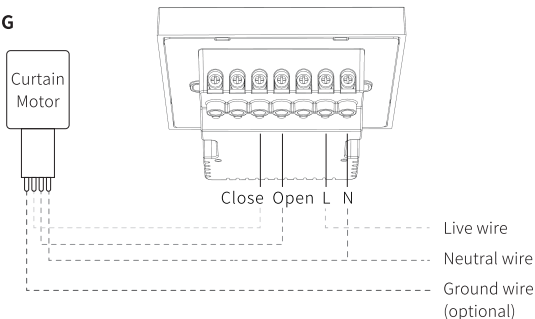
User Guide V1.0

This manual is applicable to: BLEND Curtain Controller PRO, Nature Curtain Controller

The picture is taken as an example of the BLEND Curtain Controller PRO, please refer to the actual product

INSTALLATION

WIRING



- ① Cut off the electrical power supply and make sure the wiring is not charged.
- ② Take out the smart control accessory and install it according to the wiring instruction, make sure all the wires are placed firmly.
- ③ Place the wires in the cassette orderly, and fix the smart control accessory to the cassette with fixing screws.
- ④ Take out the control panel and fix it to smart control accessory, make sure that the upper and lower two buckles are in place, otherwise it may not be able to be used normally due to poor contact.
- ⑤ Restore the power supply, the device will turn on automatically.
- ⑥ After configuration of the Smart Station, choose **“Add Device”** in LifeSmart App, select **“BLEND Curtain Controller PRO”** or **“Nature Curtain Controller”** to enter pairing process. Follow the instruction on the app to finish pairing.

SPECIFICATIONS

Size	Outside the wall: 86*86*11mm Overall: 86*86*36mm	Power consumption	<1.5W static
Weight	132g	Operating temperature	-5~45°C
Input	AC 100-240V 50/60Hz	Operating humidity	5~90%
Load	200W Max	Wireless protocol	CoSS
		Wireless distance	200m open field

NOTE

The installation involves high voltage and should be operated by a professional electrician.

It is recommended that the installation height does not exceed 2 meters.

The panel and accessory of the product must be used together. Do not disassemble and use them for other products.

SUPPORT

User support e-mail address
support@lifessmart.com

Website
iot.lifessmart.com

Manufacturer: HANGZHOU LIFESSMART TECHNOLOGY CO.,LTD.
Address: 22th Floor, Yuesheng International Center, 518 Pinglan Road,
Xiaoshan District, Hangzhou, Zhejiang, China



WARRANTY DESCRIPTION

Thank you for purchasing this LifeSmart product. In order to protect your rights, please read the following content carefully: The warranty period of our company's products is one year from the date of purchase or longer if local laws impose a longer minimum term, in which case the minimum term is the warranty period. During the warranty period, any faults caused by the product itself or for quality problems that arise under normal usage, LifeSmart will provide a free replacement.

The following conditions are not covered by the warranty:

- Product failure or damage caused by installation, use, and maintenance that is not in accordance with the product instructions;
- Products beyond the warranty period;
- Products that have the barcode tampered with or removed;
- Devices that have been tampered with or customized outside of LifeSmart Terms Of Service as on the LifeSmart APP and website;
- User-caused damage, such as inappropriate voltage input, high temperature, accidental spillage, physical damage, etc;
- Product failure or damage caused by force majeure such as earthquakes, fires, or floods;
- Product failure or damage caused by other problems except the product itself.