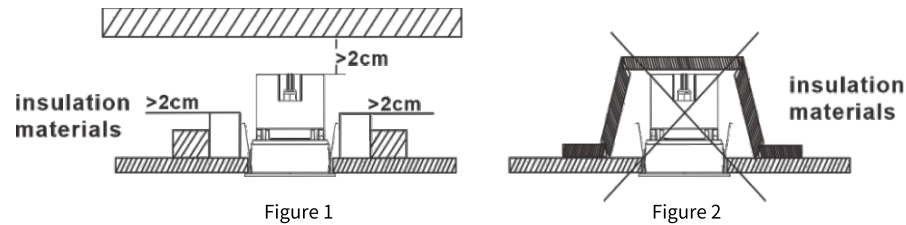


Provided it is safe to do so, turn on AC power source. The Light should turn on within 1 seconds. If Light has not illuminated, check electrical installation once more. If the Light still fails to illuminate, return to original vendor.

Heat insulation construction



Transportation

Please keep the products free of drop, collision and erosion by organic chemistry material during transportation and stocking.

The stocking environment must be water proof and moisture proof. Stocking temperature shall be -30'C - +60'C and stocking humidity is 10% 90%.

After-sale service

Maintenance Scope :Quality problem from below causes is not within maintenance scope

Maintenance or modification without authorization from the manufacturer Mal-operation or deliberately damage by user

Unusual environment, which is out of specification

Force, majeure, natural or human disaster such as fire, earthquake, tsunami, hurricane, rebellion, terrorist attack, war, etc.

Packing List

Item	Name	Qty	Unit	Remark
1	LED Downlight	1	PC	The packing list is for Ti Series Downlight
2	User Manual	1	PC	

Our company reserves the right to modify the contents of Use Manual without further notice. The User Manual comes into effective from January. 2022.

LifeSmart Ti Series Downlight



Round



Square

Please read all instructions before installation and use to avoid the risk of fire, explosion, or Electric shock.

Warning

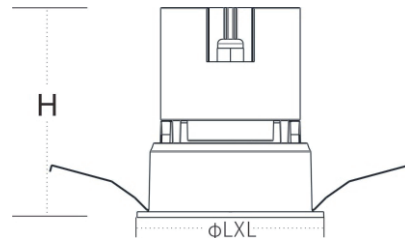
1. Downlight, protection level ip20, do not use in high humidity condition
2. Luminaire working condition -20°C - +50°C
3. Keep away from flammable and explosive environment
4. Do not cover the luminaire with insulated liner or similar materials
5. Do not install at the place easy to loose, break and other instability surface
6. Do not impact or exert greater pressure on the lighting surface ,
7. If any no bright, blink, dimming and other fault, please contact our service people and Not try to repair by yourself

Caution

1. Before installation please check if the luminaire is broken during transportation and hole The original packing material.
2. The product can not be disassemble by unprofessional person, and must make sure the Power off before disassembling or maintaining.
3. There is isolation protection layer on circuit board, please do not touch the acid Materials when you disassembling the circuit board, like sweat etc. Please use plate Washer water to clean the circuit board when it is stain or dust.
4. The maintenance for the lamp have to wait at lease 5 minutes after turning off the power, due to the capacity needs enough time to discharge and keep the lamp cool.
5. Only professional or authorized person can operate to connect the lamp with the power.
6. Under no circumstances reverse the live and neutral connections. Note that this is a class 3 product and no ground terminal is required.

Structure(unit: mm)

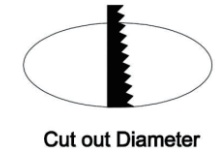
Product Size	H	Φ/L×L
HDL55 Round(G)	87	62
HDL75 Round(G)	93	83
HDL95 Round(G)	124	106
HDLS75 Square(G)	94.5	85×85



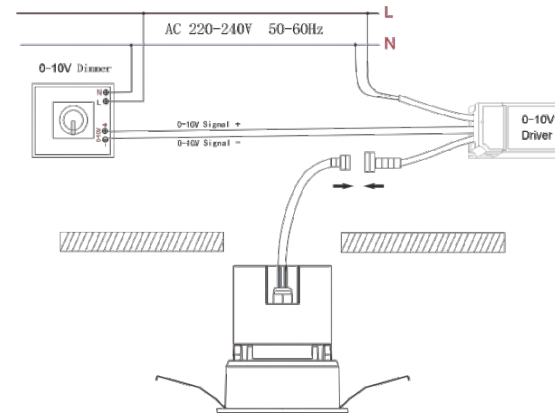
Installation

1. Open the hole in the ceiling.

Product Size	Cut Out Size(mm)
HDL55 Round(G)	Φ55
HDL75 Round(G)	Φ75
HDL95 Round(G)	Φ95
HDLS75 Square(G)	75X75



2. Connect the power lead with the terminal block of the led driver.



3. As shown in the following figure, the lamps mounted in the mounting hole, and ensure strong.

