

LifeSmart

Nature Mini PRO

Nature Mini PRO

Setting up your LifeSmart Nature

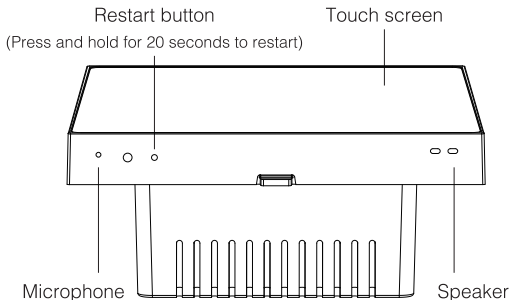
User Guide V1.0

Model: LS268 series

INSTRUCTION

Nature Mini PRO is a smart home control panel installed at the intersection of moving paths in your home. It has a 4-inch HD touch screen to provide you with a wide visual space and a comfortable interaction experience. With a powerful hardware platform to support multi-mode protocols and a customized operating system, it can transmit control signals to smart home devices and receive status feedback, thus realizing control functions of smart devices such as turning off lights and opening curtains.

ILLUSTRATION



SPECIFICATIONS

Operation System	Linux
Screen resolution	480x480
Wireless protocol	WiFi, CoSS, Zigbee
Wireless frequency	WiFi: 2.4/5GHz CoSS: 433MHz GFSK
Wireless distance	200m (CoSS open field)
Product size	Outside the wall: 86*86*11mm Overall: 86*86*36mm
Working temperature	-5~45°C
Working humidity	5~90%
Input	AC 100-240V 50/60Hz
Load (working with the switch accessories)	Resistive Load: 500W per channel. Inductive/Capacitive Load: 200W per channel.

WIRING INSTRUCTION

Working with the switch accessories:

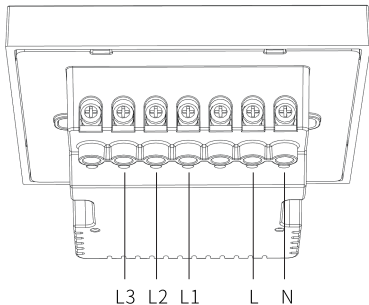
L3: Switch-out Live Wire 3

L2: Switch-out Live Wire 2

L1: Switch-out Live Wire 1

L: Switch-in Live Wire

N: Switch-in Neutral Wire

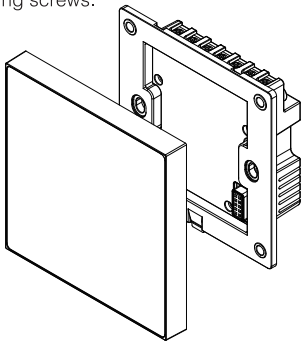


NOTE

- The number of output lines varies according to different smart control accessories, please refer to the actual product.
- When working with other smart control accessories, please refer to the wiring instructions on the accessory.
- The installation involves high voltage and should be done by a professional electrician.

INSTALLATION

- ① Cut off the electrical power supply and make sure the wiring is not charged.
- ② Take out the smart control accessory and install it according to the wiring instruction, make sure all the wires are placed firmly.
- ③ Place the wires in the cassette orderly, and fix the smart control accessory to the cassette with fixing screws.
- ④ Take out the smart control panel and fix it to smart control accessory, make sure that the upper and lower two buckles are in place, otherwise it may not be able to be used normally due to poor contact.
- ⑤ Restore the power supply, the device will turn on automatically.



WARRANTY DESCRIPTION

Thank you for purchasing this LifeSmart product. In order to protect your rights, please read the following content carefully: The warranty period of our company's products is one year from the date of purchase or longer if local laws impose a longer minimum term, in which case the minimum term is the warranty period. During the warranty period, any faults caused by the product itself or for quality problems that arise under normal usage, LifeSmart will provide a free replacement.

User support e-mail address

support@ilifsmart.com

Website

iot.ilifsmart.com



Manufacturer: HANGZHOU LIFESMART TECHNOLOGY CO.,LTD.

Address: 22th Floor, Yuesheng International Center, 518 Pinglan Road, Xiaoshan District, Hangzhou, Zhejiang, China

ATTENTION

The following conditions are not covered by the warranty:

- Product failure or damage caused by installation, use, and maintenance that is not in accordance with the product instructions;
- Products beyond the warranty period;
- Products that have the barcode tampered with or removed;
- Devices that have been tampered with or customized outside of LifeSmart Terms Of Service as on the LifeSmart APP and website;
- User-caused damage, such as inappropriate voltage input, high temperature, accidental spillage, physical damage, etc;
- Product failure or damage caused by force majeure such as earthquakes, fires, or floods;
- Product failure or damage caused by other problems except the product itself.

DECLARATION

DECLARATION OF CONFORMITY

Hereby, LifeSmart declares that the radio equipment type is in compliance with Directive 2014/53/EU. The full text of the EU declaration of conformity is available at the following internet address:

<http://global.ilifsmart.com/ce/docs/>



Notice: This device may be used in each member state in EU.

 Facebook: ilifsmarthome

 Twitter: ilifsmarthome

Copyright © 2021 LifeSmart Inc. All Rights Reserved. P/N 88009820 A1