

LifeSmart®

Simply Brilliant

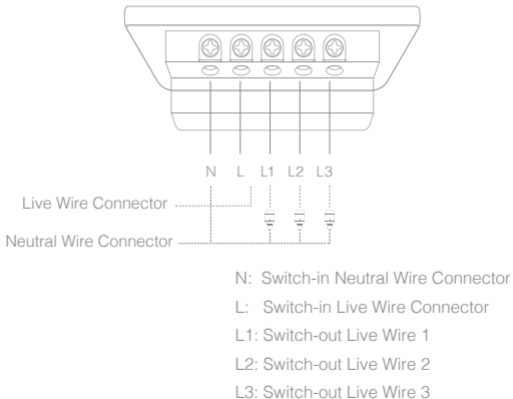
BLEND Smart Switch User Guide V1.0

Setting up your LifeSmart BLEND Smart Switch

Model.LS055 / LS056 / LS057

BLEND SMART SWITCH

Diagram



PRODUCT INTRODUCTION

The LifeSmart BLEND Smart Switch replaces your normal switch with smart home technology to make your life easier. Combined with the LifeSmart Smart Station and the free LifeSmart App, you have infinite control possibilities. In addition to traditional switch control of your lights and switched outlets, you can choose combination controls over all of your LifeSmart Smart Home products. With one button you can choose to turn on your television, stereo, air conditioner, space heater, and coffee maker individually or all at once, even across the house.

Disposal And Recycling Information

This symbol indicates that this product and/or battery should not be disposed of with household waste. When you decide to dispose of this product and/or its battery, do so in accordance with local environmental laws and guidelines.



IN YOUR PACKAGE

- BLEND Smart Switch 1
- Screw Patch 1
- User Guide 1

SPECIFICATIONS

Size	86*88*36.5mm
Weight	110g
Wireless distance	200m (open field)
Operating frequency	CoSS
Working temperature	-5 ~ 45°C
Working humidity	5 ~ 90%
Working voltage	100 ~ 240V AC
Static power consumption	< 1.5W
Maximum load	Resistive load 500W per channel, Capacitive/Reductive load 200W per channel
Regulatory Certification	CE RoHS

SET UP

Your device requires a LifeSmart Smart Station and the LifeSmart App to operate. Please download the App to your smart device and set up your Smart Station before proceeding. The App is available by scanning the following QR Code or going directly to the Google Play Store or iOS App Store.

▶ Method 1

▶ Method 2

www.ilifsmart.com/getapp.html



SET UP

- ① Open the LifeSmart App and initiate adding a device.
- ② Installation of the BLEND Smart Switch involves high voltage and should be done by a professional electrician.
- ③ Cut off the power leading to the BLEND Smart Switch and confirm that the wiring is not charged.
- ④ Remove existing switch while keeping track of which wires lead to each switch.
- ⑤ Grasp the back of the switch firmly. Apply pressure to the back edge of switch face near the bottom to separate the front panel from the back.
- ⑥ Unscrew connectors and attach the wires to the connectors following the connections shown in the Switch Diagram, connecting wires based on your desired control solution. Wires can be attached to any or all three "**switch-out**" connections (L1,L2,L3), but the N and L connections must be made to power

SET UP

the device. The switches for any **"switch-out"** connection that is not wired can be programmed to communicate with the Smart Station to perform functions on other LifeSmart devices via the Smart Station. It is recommended to use insulating tape to ensure that bare wiring does not make contact with other wires or metal.

- ⑦ Neatly arrange wires in the switch box and then install switch panel through screws on both sides.
- ⑧ Replace the Switch Cover and ensure that it is attached firmly to ensure contact with the switch buttons.
- ⑨ You may now restore power to the switch and verify normal operation by checking whether the indication light on the switch face flickers and lights. If not then recheck your wiring.
- ⑩ Press the left switch on the BLEND Smart Switch and hold for 5 seconds until the indicator light flashes to indicate that the sensor is being paired. (Pairing may last 20 seconds.)

SET UP

- ⑪ You will be prompted in the App when pairing is complete. If pairing fails the first time please retry.
- ⑫ You may now set presets and switch choices in the LifeSmart App.

Notes

This installation involves high voltage operation, you must read the guide before the installation and ask for a professional electrician. LifeSmart does not take any responsibility if any damage is caused due to not strictly following the user guide.

This product needs to work with over-current protection device with maximal current no more than 10A which will cut off the power if there is a short circuit or over-current.

WARRANTY DESCRIPTION

Thank you for purchasing this LifeSmart product. In order to protect your rights, please read the following content carefully: The warranty period of our company's products is one year from the date of purchase or longer if local laws impose a longer minimum term, in which case the minimum term is the warranty period. During the warranty period, any faults caused by the product itself or for quality problems that arise under normal usage, LifeSmart will provide a free replacement.

User support e-mail address

support@ilifsmart.com

Website

www.ilifsmart.com



ATTENTION

The following conditions are not covered by the warranty:

- Product failure or damage caused by installation, use, and maintenance that is not in accordance with the product instructions;
- Products beyond the warranty period;
- Products that have the barcode tampered with or removed;
- Devices that have been tampered with or customized outside of LifeSmart Terms Of Service as on the LifeSmart APP and website;
- User-caused damage, such as inappropriate voltage input, high temperature, accidental spillage, physical damage, etc;
- Product failure or damage caused by force majeure such as earthquakes, fires, or floods;
- Product failure or damage caused by other problems except the product itself.

DECLARATION

LifeSmart is a trademark of Hangzhou LifeSmart Technology Co., Ltd. As for the trademarks, product logos and product names from other companies presented within this manual, they are possessed by their own right holders. Without our written permission, no entity or individual shall extract, copy or disseminate in part or the whole of the manual contents in any form. Due to product version upgrades or other reasons, content of this manual may change. Our company reserves the right to change the contents of this manual without any notice. This manual is used only for instructional purposes. We strive to provide accurate information in this manual, but we are not able to ensure that the content of this manual is current. Statements, information and advice in this manual do not constitute any expressed or implied assurance. Updated manuals are available on our website at **www.ilifsmart.com** or by contacting our team.

DECLARATION

DECLARATION OF CONFORMITY

Hereby, LifeSmart declares that the radio equipment type is in compliance with Directive 2014/53/EU. The full text of the EU declaration of conformity is available at the following internet address: <http://global.ilifsmart.com/ce/docs/>



Notice: This device may be used in each member state in EU.

WEEE Directive Compliance

Device labelled with this symbol should not be disposed with other household wastes. It shall be handed over to the applicable collection point for the recycling of waste electrical and electronic equipment.



Manufacturer: Hangzhou LifeSmart Technology Co., Ltd.

Address: 10-11th Floor, Building A, SUPCON Information, 352 Binkang Road,
Binjiang District, Hangzhou, Zhejiang, CHN



 Facebook: [lifesmarthome](#)

 Twitter: [lifesmarthome](#)

Copyright © 2019 LifeSmart Inc. All Rights Reserved. P/N:88002950 A1